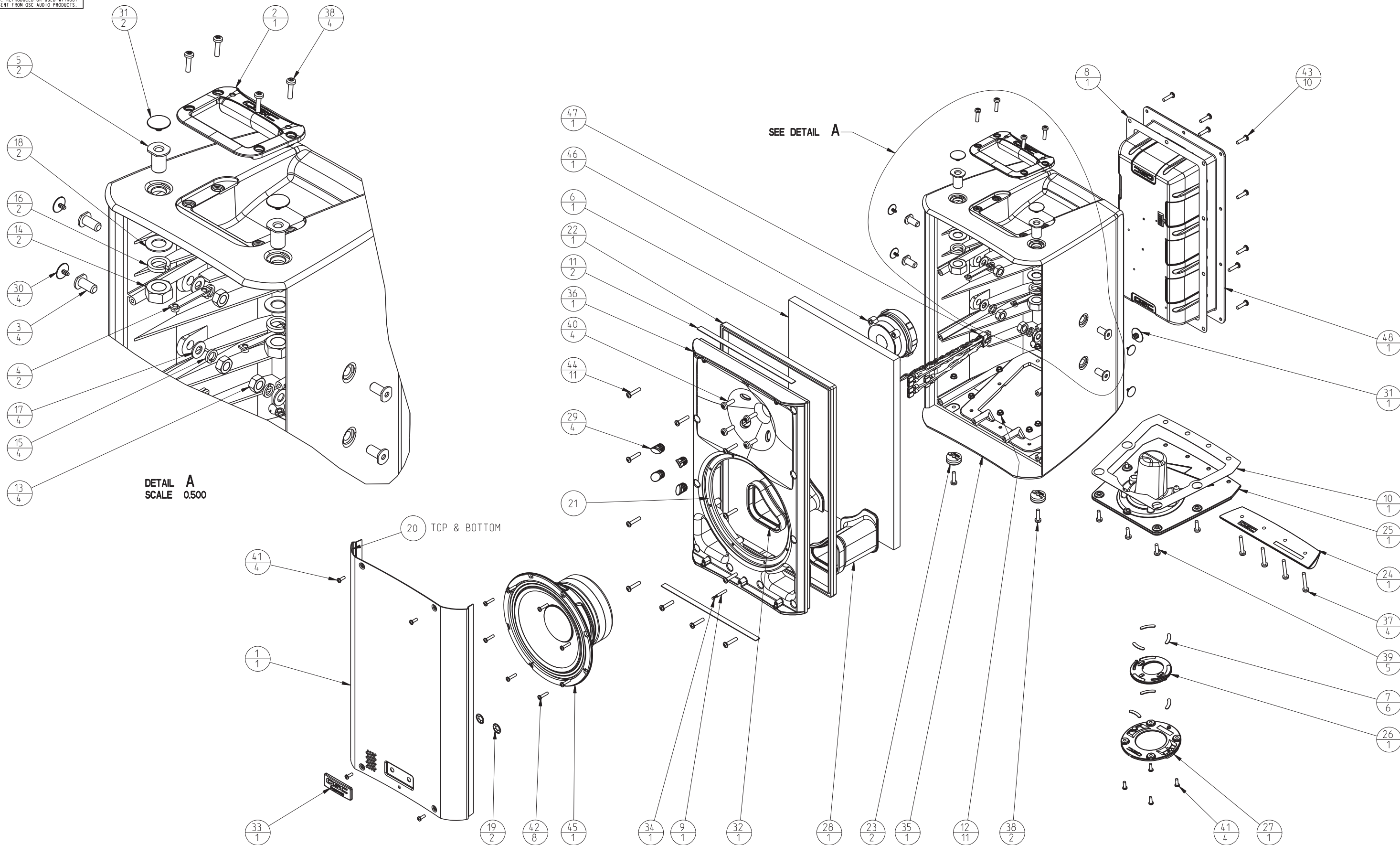


THIS DOCUMENT CONTAINS PROPRIETARY INFORMATION WHICH IS THE PROPERTY OF OSC AUDIO PRODUCTS. THAT MAY NOT BE DISCLOSED, REPRODUCED OR USED WITHOUT EXPRESS WRITTEN CONSENT FROM OSC AUDIO PRODUCTS.



DETAIL A
SCALE 0.500

SCALE 0.330

SIZE	CAGE CODE	DWG NO.	REV
D	00PW4	WP-003300-01	A
SCALE	DRAWING INFO		SHEET
0.250	WP-003300-01.A.0		2 of 2

DWG NO. WP-003300-01
 SHEET 2
 REV A

Item No.	Component Description	Component Part Number	Qty
1	GRILLE, , BLK, K8,	CH-000847-01	1
1,19,33	K8 GRILLE ASSEMBLY KIT	SG-000557-TS	1
2	HANDLE, , BLK, SPEAKERS,	CH-000850-01	1
3	THREADED INSERT, M5, , K-SERIES,	CH-000869-01	4
4	PLATE, HANDLE BACKING, , K-SERIES,	CH-000870-00	2
5	THREADED INSERT, M10, , K-SERIES,	CH-000899-01	2
6	ACOUSTIC WOOL, 300*490*30, , ,	MS-000415-GP	1
7	FELT PAD, POLE MOUNT, K-SERIES, ,	MS-000480-00	6
8	GASKET, OUTER, BUCKET, BOP-2CH,	MS-000486-00	1
9	SPACER, LED, , ,	MS-000496-00	1
10	GASKET, POLE CUP, K-8, ,	MS-000499-00	1
11	GASKET, PE600MM X 10MM X 1.0MM THK, , ,	MS-000543-00	2
12	NUT, HEX FLG SERR, M5, , STL, CLR, ZINC CR3,	NW-000161-00	11
13	NUT, HEX, M10, , STL, CLR, ZINC CR3,	NW-000162-00	4
14	NUT, HEX, M16, , STL, CLR, ZINC CR3,	NW-000163-00	2
15	WSHR, SPLKG, M10, , , , STL, CLR, ZINC CR3,	NW-000164-00	4
16	WSHR, SPLKG, M16, , , , STL, CLR, ZINC CR3,	NW-000165-00	2
17	WSHR, FLT, M10, , , , STL, CLR, ZINC CR3,	NW-000166-00	4
18	WSHR, FLT, M16, , , , STL, CLR, ZINC CR3,	NW-000167-00	2
19	WSHR, RTNR, M8, , , , STL, CLR, ZINC CR3,	NW-000168-00	2
20	GASKET, D32XD26.5X1MM, EVA BK, , ,	PL-000061-GP	1
21	GASKET, 1000X10X2MM, EVA B, , ,	PL-000062-GP	1
22	GASKET, BAFFLE/BUCKET, K8, , BLK,	PL-000585-01	1
23	FOOT, ROUND, K10, , BLK,	PL-000593-01	2
24	FOOT, REAR, K8, , BLK,	PL-000597-01	1
25	POLE CUP, DUAL ANGLE, K8, , BLK,	PL-000600-01	1
26	POLE CUP, SELECTOR, ANGLE, K-SERIES, , BLK,	PL-000603-01	1
27	POLE CUP, RETAINER, SELECTOR, K-SERIES, , BLK,	PL-000604-01	1
7,10, 25, 26, 27	K8 POLE CUP ASSEMBLY KIT	SG-000558-TS	1
28	FLARE, PORT, RIGHT, K8, , BLK,	PL-000606-01	1
29	PLUG, HORN, K8, , BLK,	PL-000619-01	4
30	PLUG, RUBBER, 5MM, , BLK,	PL-000620-01	4
31	PLUG, RUBBER, 10MM, , BLK,	PL-000621-01	3
32	FLARE, PORT, LEFT, , BLK, K8	PL-000623-01	1
33	LOGO, K8/K10, , , BLK,	PL-000658-01	1

Item No.	Description	Part Number	Qty
34	LED, 3MM, BLUE SP, SLR343BB T 225419 ROHM, , ,	QD-000312-GP	1
9,34,47	K8 WIRING HARNESS ASSEMBLY KIT	SG-000559-TS	1
36	BAFFLE, , K8, , BLK,	SB-000076-01	1
28,32,36	K8 BAFFLE ASSEMBLY KIT	SG-000556-TS	1
37	SCR, PHH, PNH, , , , M5, 35 L, STL, BLK, ZINC CR3,	SC-000097-GP	4
38	SCR, PHH, PNH, MACH, , , , M5, 20 L, STL CLASS 4.6, BLK, ZINC CR3,	SC-000288-00	6
39	SCR, PHH, PNH, MACH, , , , M5, 17 L, STL, BLK, ZINC CR3,	SC-000300-00	5
40	SCR, PHH, PNH, MACH, , , , M6, 20 L, STL, BLK, ZINC CR3,	SC-000302-00	4
41	SCR, PHH, PNH, TPG, PLASTITE, , , , M4, 12 L, STL, BLK, ZINC CR3,	SC-000303-00	8
42	SCR, PHH, PNH, TPG, PLASTITE, , , , M4, 18 L, STL, BLK, ZINC CR3,	SC-000304-00	8
43	SCR, PHH, PNH, TPG, PLASTITE, , , , M5, 20 L, STL, BLK, ZINC CR3,	SC-000305-00	10
44	SCR, PHH, PNH, TPG, PLASTITE, , , , M5, 25 L, STL, BLK, ZINC CR3,	SC-000306-00	11
45	WOOFER, 8", PAPER, FERRITE, CELESTION, K8	SP-000180-00	1
46	COMPRESSION DRIVER, 1.75", PETP, NEOD, CELESTION, K-SERIES	SP-000184-00	1
47	WIRE HARNESS, , , , K8, ,	WC-000456-00	1
48	CHASSIS ASSY, MAIN, K8, UNIVERSAL SUPPLY,	WP-003307-00	1
48	PCB ASSY,,K8,UNIVERSAL SUPPLY,WITH INPUT BOARD	WP-003311-00	1